



**NORMALMENTE CHIUSA A TENUTA**  
**NORMALLY CLOSED, POPPET-TYPE**

Valvola ad azionamento elettrico a 2 vie 2 posizioni normalmente chiusa a tenuta pilotata per applicazioni dove si richiede un bassissimo trafilemento interno

► COD. **EV3/4 S D1**

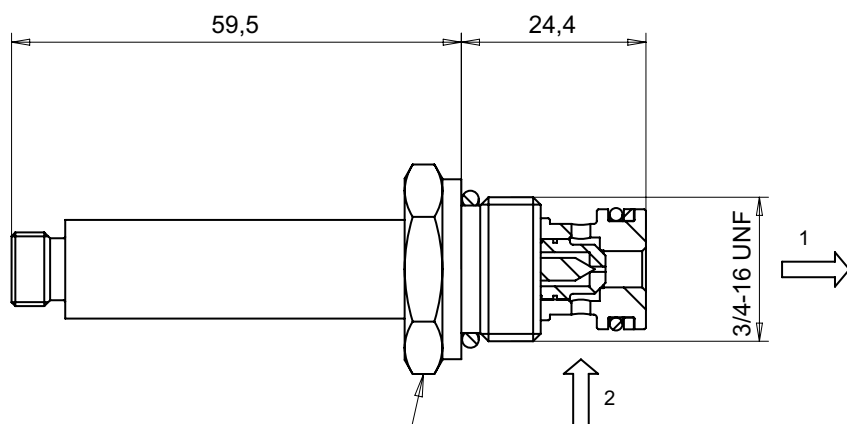
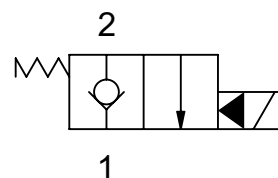
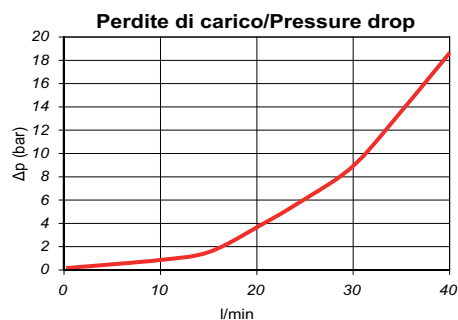
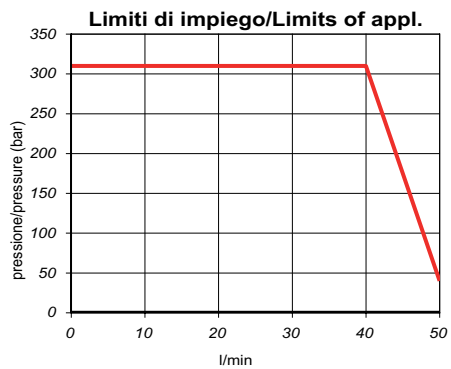
*A solenoid-operated, 2-way, 2-position, normally closed piloted poppet-type hydraulic cartridge valve, designed to function in applications requiring low internal leakage*

► GRANDEZZA / SIZE **06**

**1**

**1.a**

<ul style="list-style-type: none"> <li>Cavità</li> <li><i>Cavity</i></li> </ul>	<b>C 3416- 2 S</b>
<ul style="list-style-type: none"> <li>Pressione max.</li> <li><i>Max. Op. pressure</i></li> </ul>	<b>310 bar</b>
<ul style="list-style-type: none"> <li>Portata Nominale</li> <li><i>Nominal Range</i></li> </ul>	<b>25 l/min</b>
<ul style="list-style-type: none"> <li>Trafilemento interno</li> <li><i>Internal Leakage</i></li> </ul>	<b>1 cm<sup>3</sup>/min alla max. pressione di esercizio con olio 46 cSt</b> <b>1 cm<sup>3</sup>/min at maximum operating pressure with 46 cSt oil</b>
<ul style="list-style-type: none"> <li>Comandi manuali</li> <li><i>Manual controls</i></li> </ul>	<b>EV3 - EV4 - EB1</b>
<ul style="list-style-type: none"> <li>Bobine</li> <li><i>Coils</i></li> </ul>	<b>Cap. 3</b>



CH 24  
Coppia 30+5 Nm